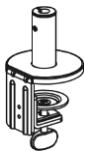


Ergo Monitor Arm Two

TABLE OF CONTENTS

Installation Hardware	01
Spare Parts	02
Warning	02
Step 1	03
Step 2	03
Step 3	04
Step 4	04
Step 5	05
Step 6	06

INSTALLATION HARDWARE



1 PCS
The Base Stem



2 PCS
The Rear Arm



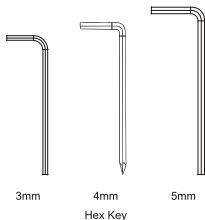
2 PCS
The Forearm



2 PCS
The VESA Connector



Note: The VESA connector
will be placed on the
bottom of foam.



3mm

4mm

5mm

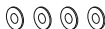
Hex Key



8 PCS (M4)
VESA Connector Screws



8 PCS (M5)
VESA Connector Screws



8 PCS
Screw Shim

SPARE PARTS



1 PCS

The Quick-Release Tab



1 PCS

The Arm Bracket



2 PCS (M4)

VESA Connector Screws



2 PCS (M5)

VESA Connector Screws



2 PCS

Screw Shim

WARNING

This product contains high-pressure gas spring accessories, do not put into the fire, high temperature baking or unauthorized disassembly, or may cause unpredictable personal injury.

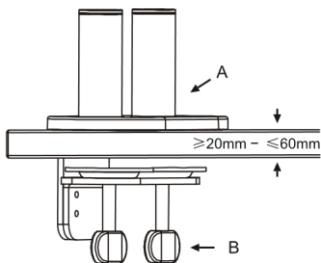
- * Make sure to read the manual before installation and fully understand how to install, if you have any questions, please visit our website or contact the relevant after-service.
- * Kindly please make sure the desktop could bear the weight of mount and monitor before installation.
- * Please use the supporting tools when installing. It is better for installation by 2 people. Please be careful.



STEP 1. ATTACH MOUNT TO WORK SURFACE

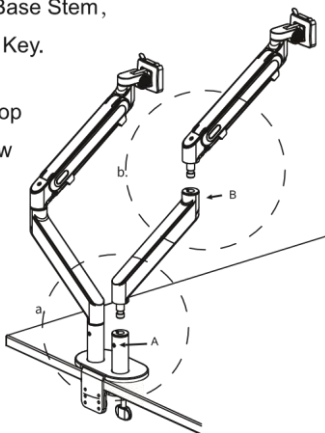
For installation on open edge
of work surface:

Slide the Base
Stem(A) against work surface
edge and fully tighten clamp
Screw(B).



STEP 2. ATTACH ARM TO BASE STEM

- a. Insert the rear arm into the Base Stem, tighten the screw(A) by Hex Key.
- b. Insert the Forearm into the top of rear arm, tighten the screw (B) by Hex Key .

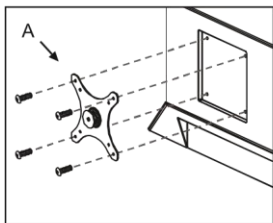


STEP 3. ATTACH VESA CONNECTOR TO MONITOR

Place VESA connector in position on back of monitor with clips (A) on the left and right. Attach using 4 Standard VESA connector Screws provided. VESA connector can accommodate 75mm and 100mm hole patterns. For this installation, you may also use screws that came with your monitor.

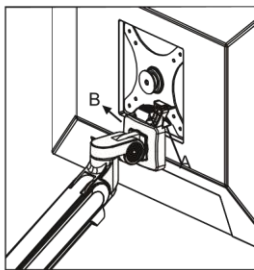


The VESA connector will be placed on the bottom of foam.

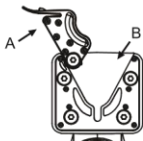


STEP 4. ATTACH MONITOR TO ARM

Cock Quick-Release Tab(A), slide the VESA connector of monitor into the arm bracket(B), punch the Quick-Release Tab(A) until it clicks.

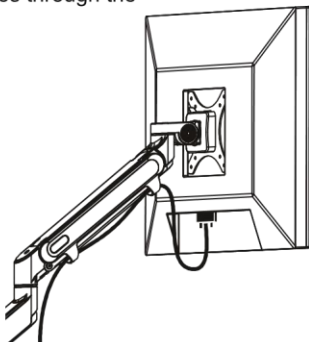


Note: To Remove, please cock Quick-Release Tab(A) again and slide device up and away from arm.

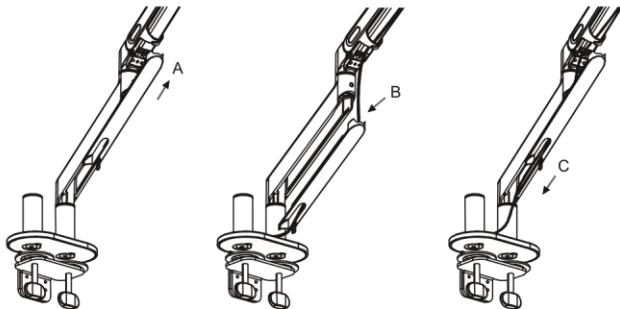


STEP 5. CABLE MANAGEMENT

- a. Route power and monitor cables through the cable clips on the upper links.



- b. Slide the plastic cover on the lower link upward until it disengages, then remove (A). Position power and monitor cables onto the plastic cover inside (B), and slide the cover downward until it clicks into place (C).

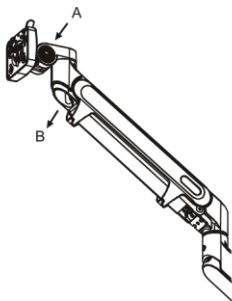


STEP 6. ARM ADJUSTMENTS

a. Friction Adjustment

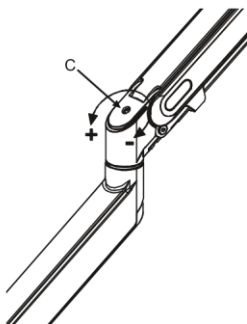
If you feel the pitching angle too tight or too loose when adjusting the mount, please adjust the Screw (A).

If you feel the horizontal angle too tight or too loose when adjusting the mount, please adjust the Screw (B).



b. Weight Adjustment

The load weight of mount is 1.5to9kg, factory default settings:3to4kg, it will decreases gradually when adjusting the Screw(C) by clockwise rotation, vice versa.



Note: Once you feel the damping of screw increases or cannot be rotated, please stop avoid of damaging the mount.